

This product is obsolete.

OPTO 22

DATA SHEET

Form 787-230112

BRAINS SNAP ANALOG AND DIGITAL

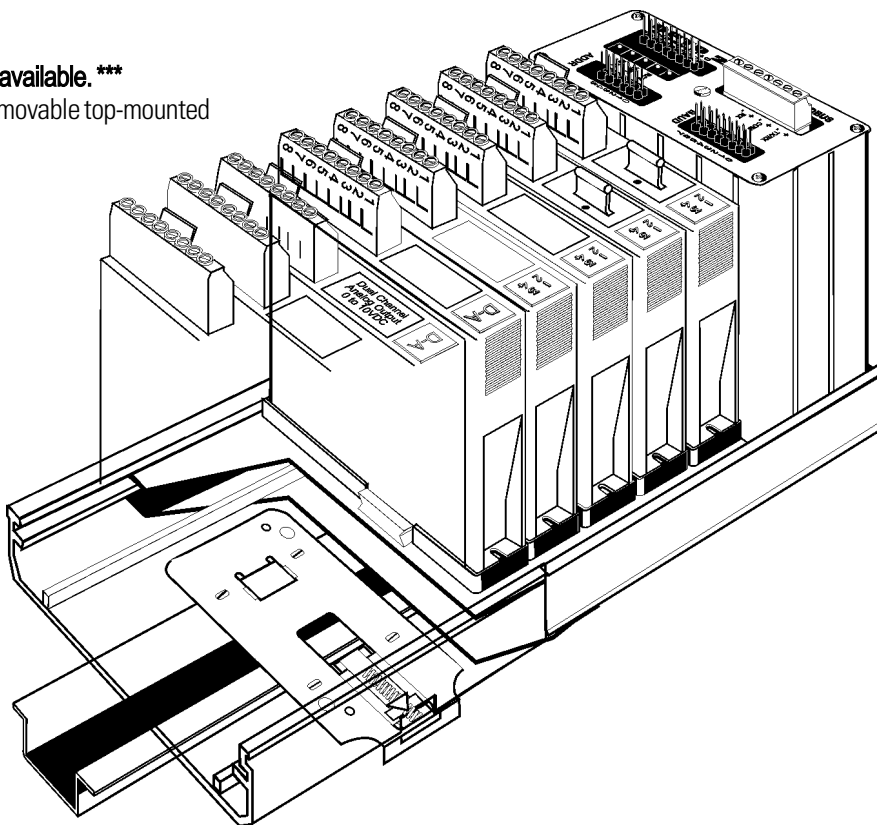
page 1/19

Part Number	Description
B3000	SNAP Analog/Digital Brain Mystic/Optomux Protocol

Features

*** This product is Obsolete and no longer available. ***

- Convenient pluggable connector for removable top-mounted field wiring.
- Ready access to standard fuses.
- Versatile DIN-rail or panel mounting.
- Single distributed brain does it all - analog, digital, or mixed I/O.
- Highly visible LED status indicator for each channel.
- Digital I/O (four channels per module).
- Mix analog and digital modules on the same rack.
- Software-configurable, dual-channel, intelligent analog I/O.
- Quick and easy installation - modules "SNAP" securely on racks; no screws required.
- Factory Mutual approved



Description

*** This product is Obsolete and no longer available. ***

The B3000 is a high-performance brain used to remotely control a mix of both analog and digital I/O modules using Opto 22's SNAP "B Series" I/O mounting racks. The B3000 can be used with either an Opto 22 controller or a host computer. On-board intelligence enables many distributed control functions.

Since SNAP analog and digital modules have the same footprint, the B3000 brain can be combined with SNAP "B Series" racks to provide a powerful I/O handling system. Please note that some newer SNAP modules are not compatible with the B3000 brain. See the module's data sheet for compatibility information.

The B3000 communicates with a host processor serially over RS-485 twisted-pair wiring and supports both the *mistic*[®] protocol and the industry-standard Optomux[®] protocol. Both protocols can support high-speed communication (115 Kbaud).

Utilizing the *mistic* protocol, advanced I/O processing—including PID calculations (100 millisecond update), pulse width duration measurements (100 microsecond resolution), and high-speed counting (20,000 Hz)—can all be accomplished on separate channels of the same I/O mounting rack. See page 3 for a complete list of *mistic* functions.

This product is obsolete.

OPTO 22

DATA SHEET

Form 787-230112

In addition to providing input and output capability, the Optomux protocol also has the ability to perform count, latch, and pulse duration on digital input channels, as well as frequency and pulse functions on digital outputs. The Optomux protocol is also capable of providing input averaging and output waveform functions on analog channels. See page 4 for a complete list of Optomux functions.

The B3000 is compatible with the classic B1 and B2 brains, with a few exceptions. The B3000 adds the ability to communicate with either a 2-wire or 4-wire configuration, at speeds of 115 Kbaud. Classic brains were restricted to 4-wire communications at up to 38.4 Kbaud. The B3000 supports only the standard 2-pass method of communication with the Optomux protocol.

By using the B3000 with the mistic protocol and a mistic controller, SNAP I/O customers can use FactoryFloor®, Opto 22's suite of Windows® software. FactoryFloor consists of four integrated components:

- OptoControl™, a graphical, flowchart-based development environment for control solutions
- OptoDisplay™, a graphical, multimedia operator interface package

- OptoServer™, a robust data server that connects the controller network with the PC-based FactoryFloor network.
- Plus OptoConnect™, a drag-and-drop database utility for building SQL Server and Access databases.

OptoControl is the programming environment for Opto 22's FactoryFloor software. OptoControl utilizes the distributed control capability of the B3000 brain.

Opto 22's OptoDriver Toolkit™ can be used for direct communications from a host PC to the B3000. The toolkit includes 32-bit and 16-bit Windows drivers and Opto 22's classic DOS drivers. The kit also provides the files, documentation, and real-world examples needed to write Microsoft® Windows and DOS software applications. Programmers can access the Opto 22 I/O hardware using languages such as Microsoft Visual C++™ or Microsoft Visual Basic®.

Please note: FactoryFloor is a legacy product. The newer PAC Project Professional software suite supports B3000 brains with SNAP PAC S-series programmable automation controllers. See our website, www.opto22.com, for more information about PAC Project Professional.

This product is obsolete.

OPTO 22

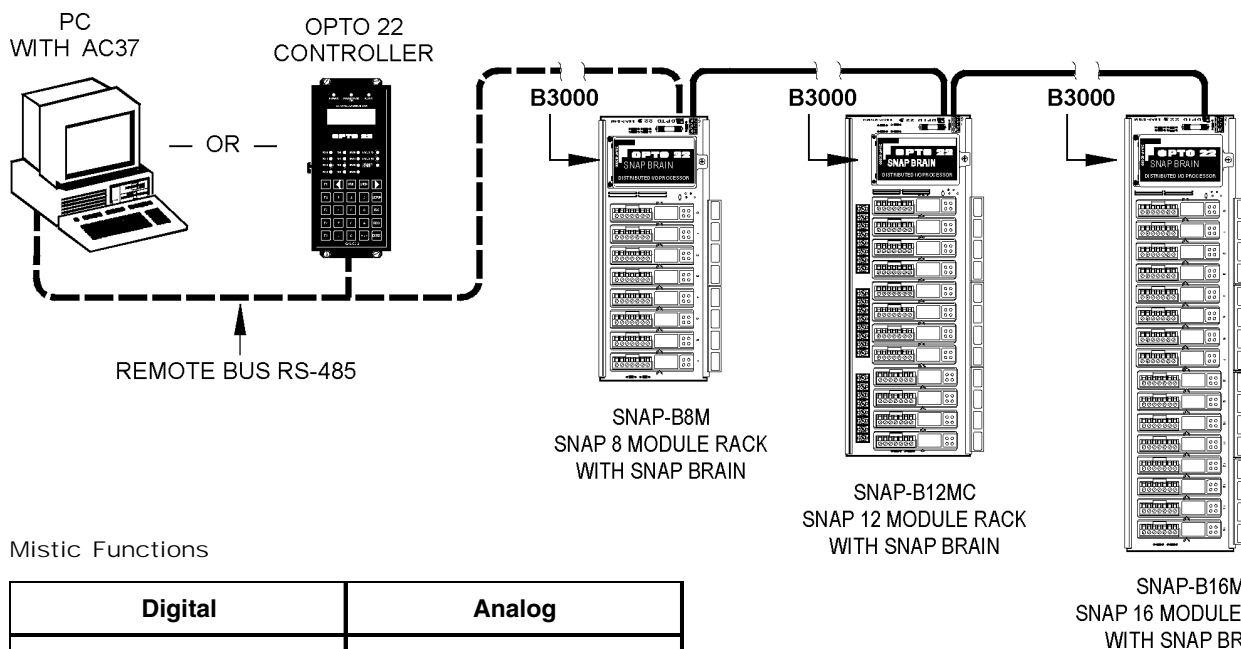
DATA SHEET

Form 787-230112

BRAINS SNAP ANALOG AND DIGITAL

page 3/19

B3000 Mystic System Architecture



Mistic Functions

Digital	Analog
Input latching (10 µsec)	PID loop control
Timing (1 msec resolution)	High/Low limit monitoring
Counting (32 bit)	Thermocouple linearization
Totalizing	Digital filtering
Output timing (1 msec resolution)	Ramping
Pulse generation (1 msec resolution)	Waveform generation
Time proportional output (100 msec minimum period)	Programmable offset and gain
Frequency measurement (up to 20 KHz)	Engineering unit scaling
Event reactions	Square root extraction
Pulse measurement	Event reactions
Period measurement	

Notes:

- PID loops do not cross address boundaries.
- PID loops can only be configured on analog addresses.
There is a maximum of 8 PID loops per analog address.
- Event reactions do not cross address boundaries.

This product is obsolete.

OPTO 22

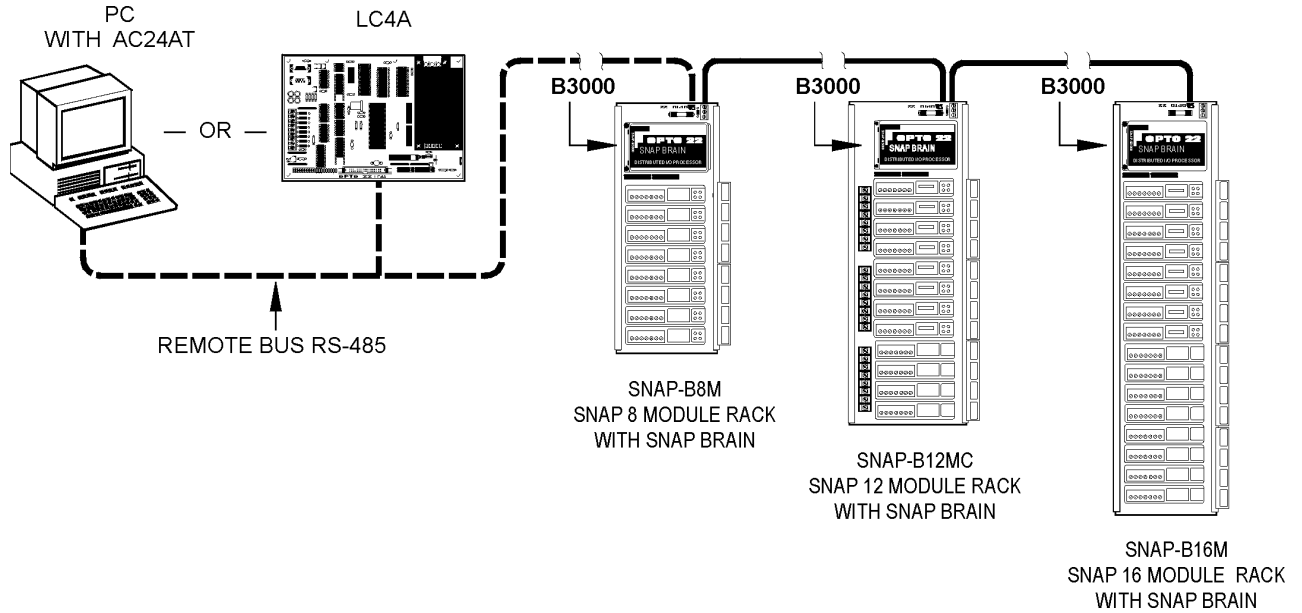
DATA SHEET

Form 787-230112

BRAINS SNAP ANALOG AND DIGITAL

page 4/19

B3000 Optomux System Architecture



Optomux Functions

Digital	Analog
Input latching	Input Averaging
Time Delays (10 ms resolution)	High/Low Limit Testing
Pulse Generation (10 ms resolution)	Waveform Generation
Counting (16 bit)	High/Low Limit Recording
Pulse Duration	Programmable Offset & Gain

This product is obsolete.

OPTO 22

DATA SHEET

Form 787-230112

BRAINS SNAP ANALOG AND DIGITAL

page 5/19

Specifications **[OBSOLETE]**

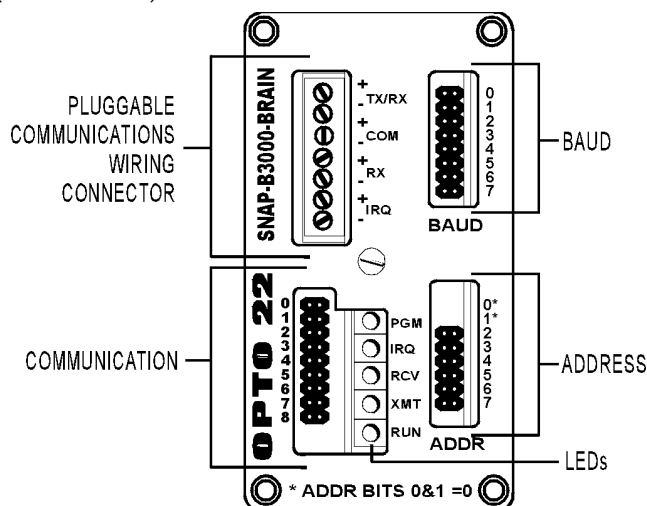
General

Operating Specifications

Power Requirements	5.0 VDC ± 0.1 VDC @ 1.0A max.
Operating Temperature	0° to 70°C, 95% humidity, non-condensing
Communications Interface	RS-485/422, 2- or 4-wire, twisted pair(s), with shield
Data Rates	300, 600, 1200, 2400, 4800, 9600, 19200, 38400, 57600, 76800, and 115200 baud
Range: Multidrop	Unlimited. (Up to 3,000 feet or 32 stations maximum between repeaters)
LED Indicators	RUN (Power ON), RCV (Receive), XMT (Transmit), (IRQ) Interrupt, and (PGM) Program
Options: Jumper Selectable	Address Communication baud rate CRC/Checksum Binary/ASCII Mistic/Optomux Emulation

Connectors And Jumpers

Top View: B3000
(cover removed)



This product is obsolete.

OPTO 22

DATA SHEET

Form 787-230112

Specifications **[OBSOLETE]**

Serial Communication Cables

The following cables are recommended for RS-485/422 serial communications. Although you may elect to use other cables, keep in mind that low capacitance (less than 15 pF/ft.) is important for high-speed digital communication links. The cables listed below are all 24-gauge, 7x32 stranded, with 100-ohm nominal impedance and a capacitance of 12.5 pF/ft.

Select from the following two-, three-, and four-pair cables, depending on your application needs. All will yield satisfactory results. It is recommended that you choose a cable with one more pair than your application requires. Use one of the extra wires, rather than the shield, for the common.

Two-Pair:

- Belden P/N 8102 (with overall shield)
- Belden P/N 9729 (individually shielded)
- Belden P/N 8162 (individually shielded with overall shield)
- Manhattan P/N M3475 (individually shielded with overall shield)
- Manhattan P/N M39249 (individually shielded with overall shield)

Three-Pair:

- Belden P/N 8103 (with overall shield)
- Belden P/N 9730 (individually shielded)
- Belden P/N 8163 (individually shielded with overall shield)
- Manhattan P/N M3476 (individually shielded with overall shield)
- Manhattan P/N M39250 (individually shielded with overall shield)

Four-Pair:

- Belden P/N 8104 (with overall shield)
- Belden P/N 9728 (individually shielded)
- Belden P/N 8164 (individually shielded with overall shield)
- Manhattan P/N M3477 (individually shielded with overall shield)
- Manhattan P/N M39251 (individually shielded with overall shield)

This product is obsolete.

OPTO 22

DATA SHEET

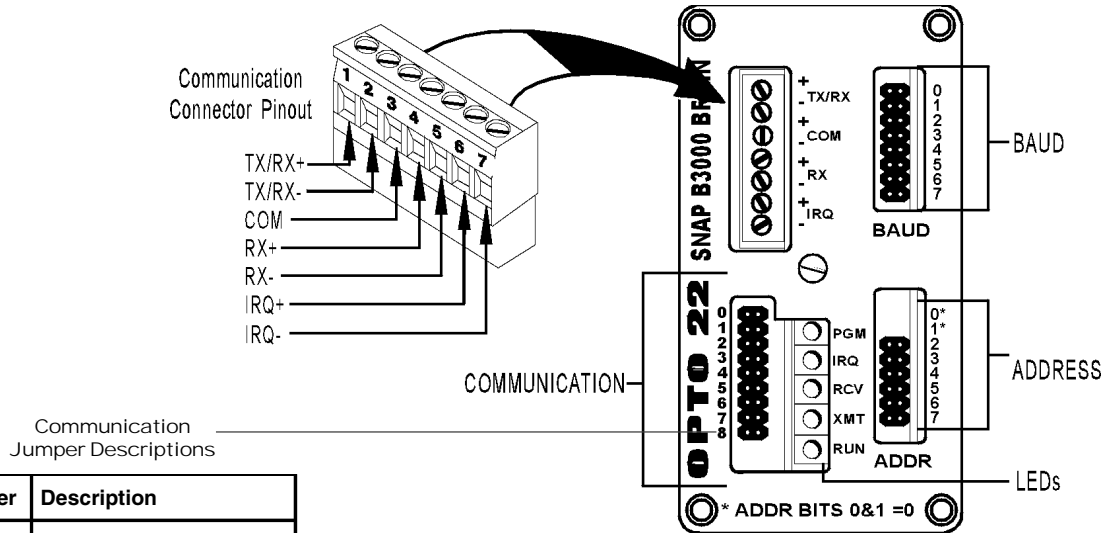
Form 787-230112

BRAINS SNAP ANALOG AND DIGITAL

page 7/19

Specifications [OBSOLETE]

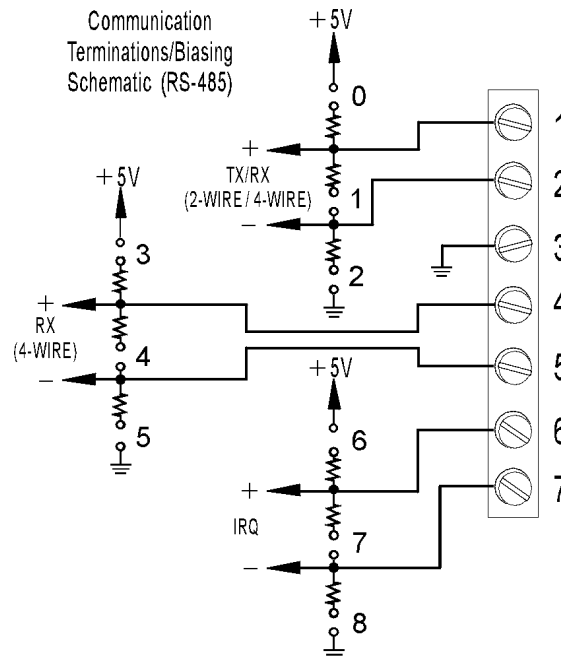
Communication Jumpers/Wiring



Communication Jumper Descriptions

Jumper	Description
0	Pull-up for TX/RX+
1	Terminator for TX/RX
2	Pull-down for TX/RX-
3	Pull-up for RX+
4	Terminator for RX line
5	Pull-down for RX line
6	Pull-up for IRQ+
7	Terminator for IRQ
8	Pull-down for IRQ-

Note: When changing jumper settings, the new settings will not take effect until the next time the unit is powered up.



This product is obsolete.

OPTO 22

DATA SHEET

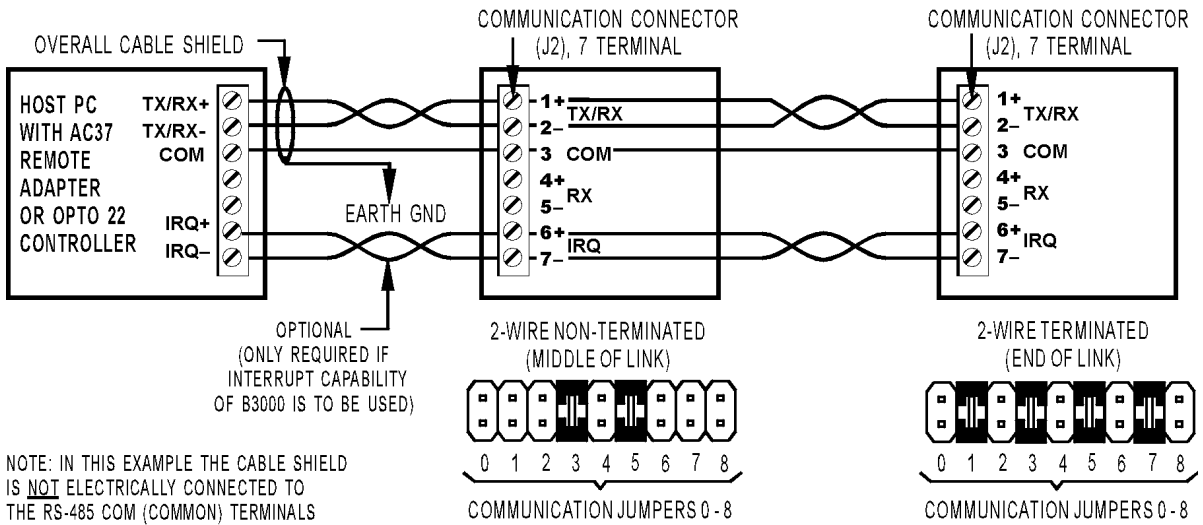
Form 787-230112

BRAINS SNAP ANALOG AND DIGITAL

page 8/19

Mistic Communication Jumpers/Wiring

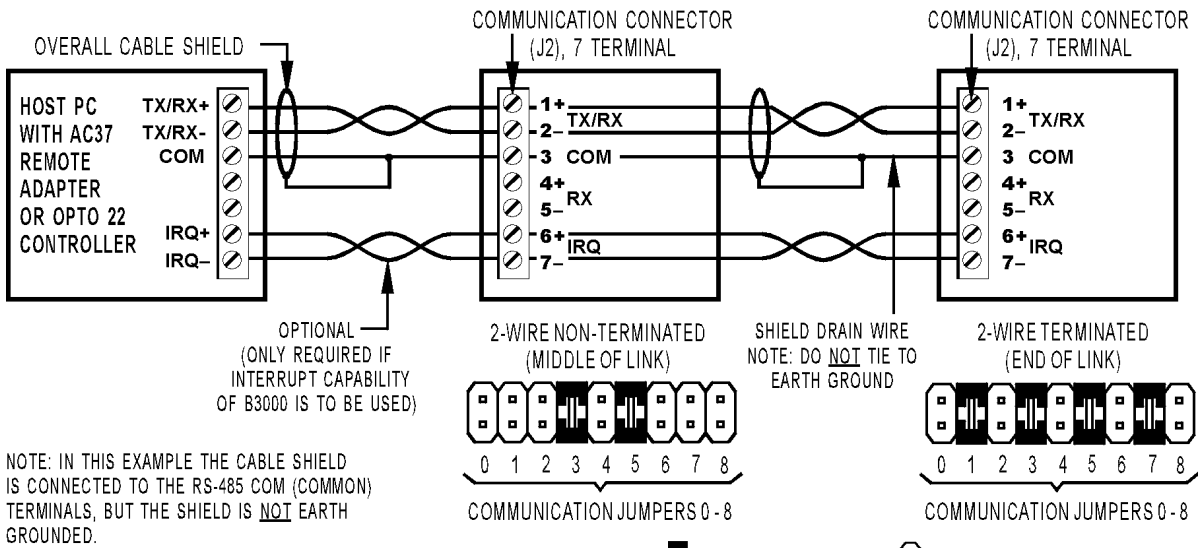
STANDARD 2-WIRE CONFIGURATION



In order to meet published specifications, the RS-485 serial link requires two terminations, one at each physical end of the serial link. **Star configuration is not allowed.** In order to use a star configuration, use Opto 22 Part No. AC38A/B.



ALTERNATE 2-WIRE CONFIGURATION (ACCEPTABLE FOR MOST CONDITIONS)



This product is obsolete.

OPTO 22

DATA SHEET

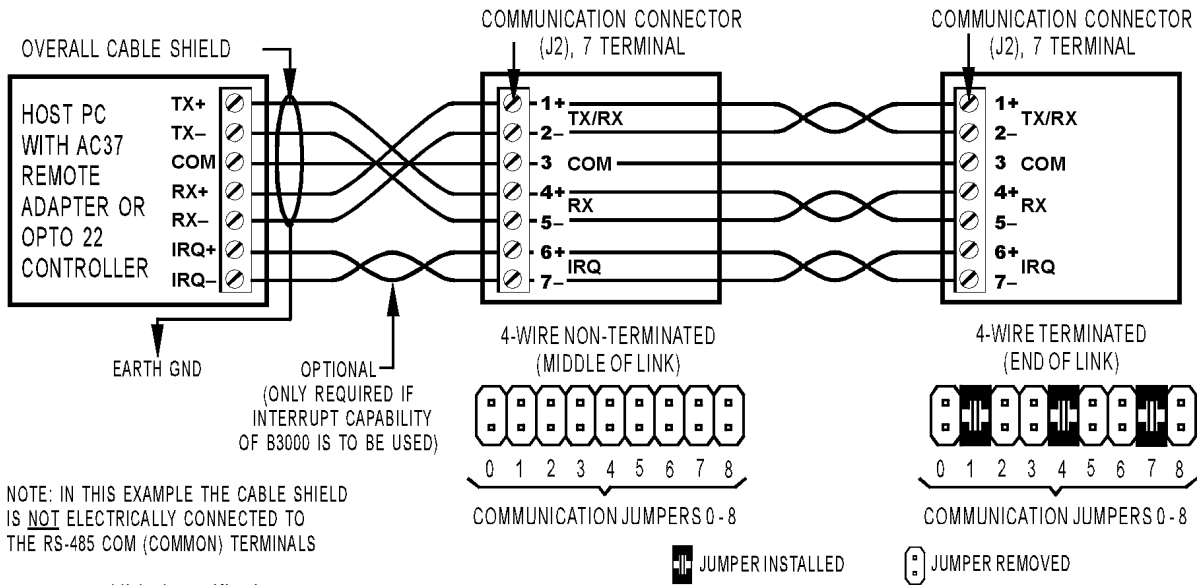
Form 787-230112

BRAINS SNAP ANALOG AND DIGITAL

page 9/19

Mistic Communication Jumpers/Wiring (Continued)

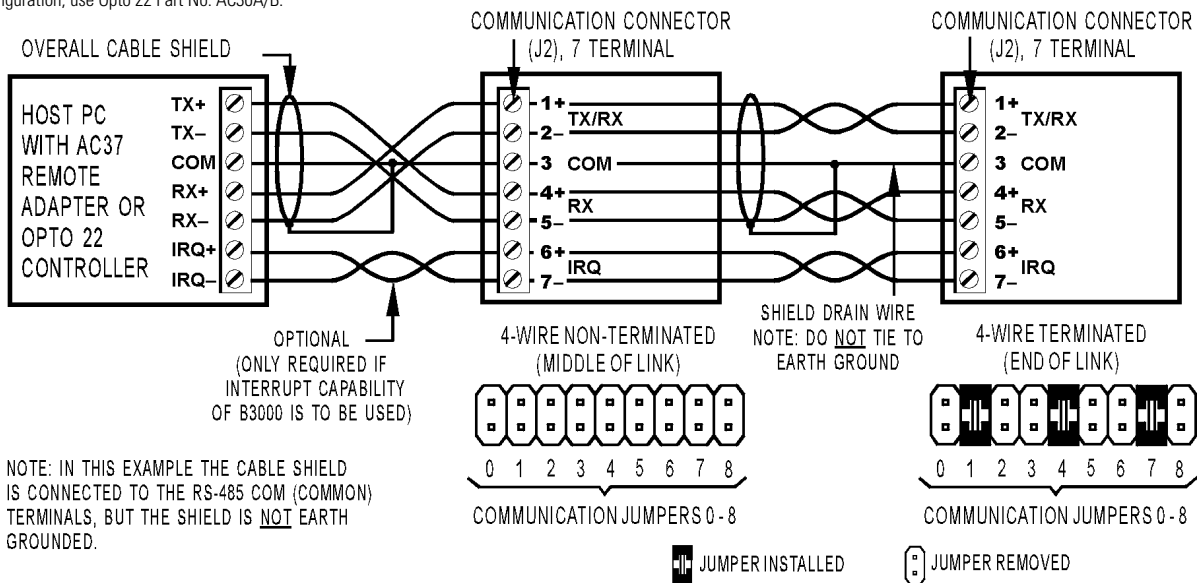
STANDARD 4-WIRE CONFIGURATION



In order to meet published specifications, the RS-485 serial link requires two terminations, one at each physical end of the serial link. **Star configuration is not allowed.** In order to use a star configuration, use Opto 22 Part No. AC30A/B.

ALTERNATE 4-WIRE CONFIGURATION

(ACCEPTABLE FOR MOST CONDITIONS)



This product is obsolete.

OPTO 22

DATA SHEET

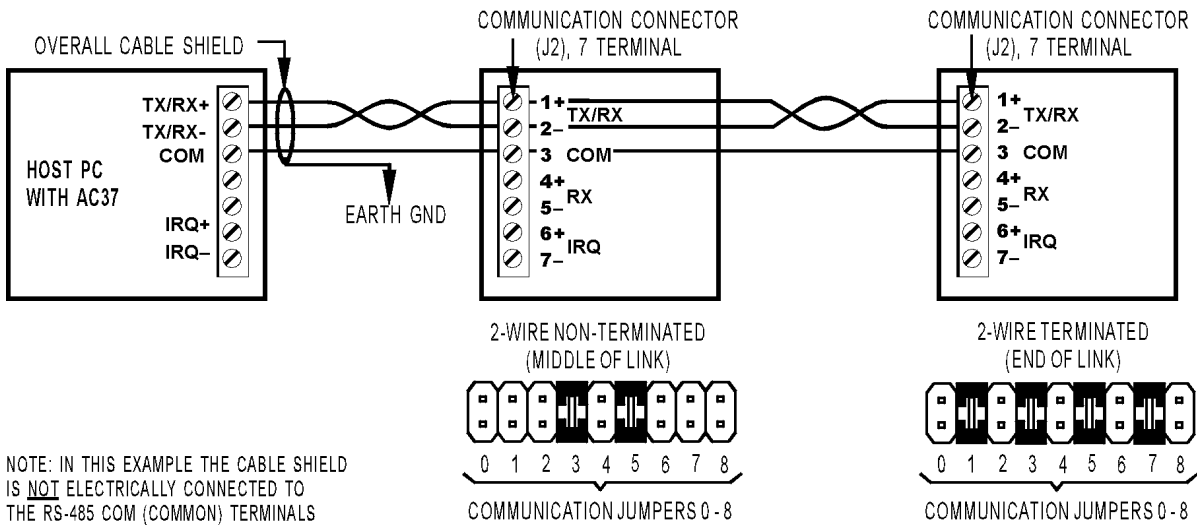
Form 787-230112

BRAINS SNAP ANALOG AND DIGITAL

page 10/19

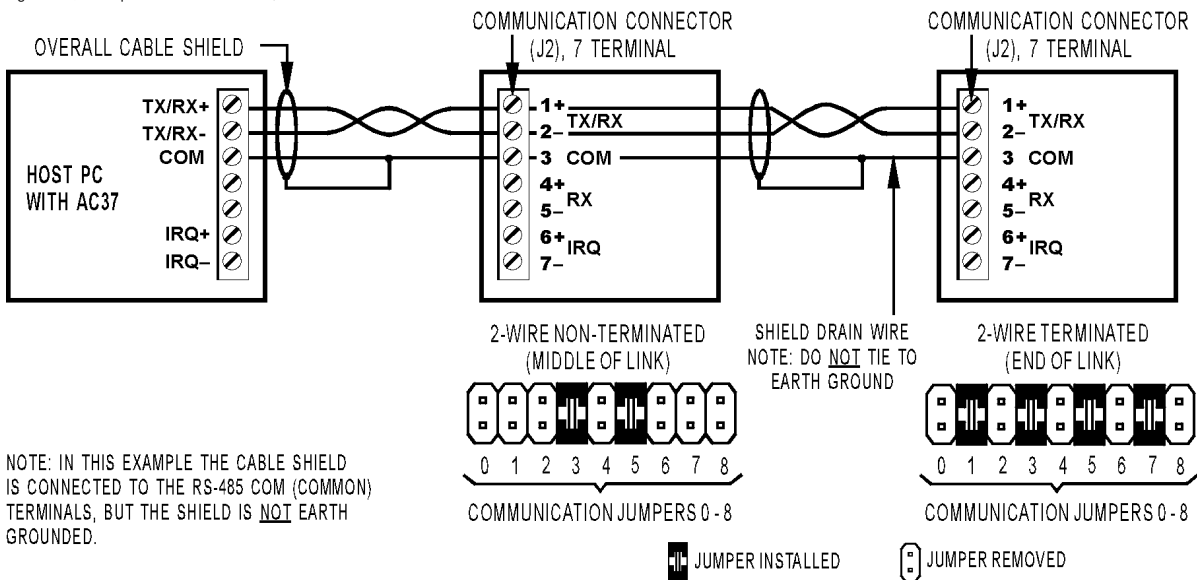
Optomux Communication Jumpers/Wiring

STANDARD 2-WIRE CONFIGURATION



In order to meet published specifications, the RS-485 serial link requires two terminations, one at each physical end of the serial link. **Star configuration is not allowed.** In order to use a star configuration, use Opto 22 Part No. AC38A/B.

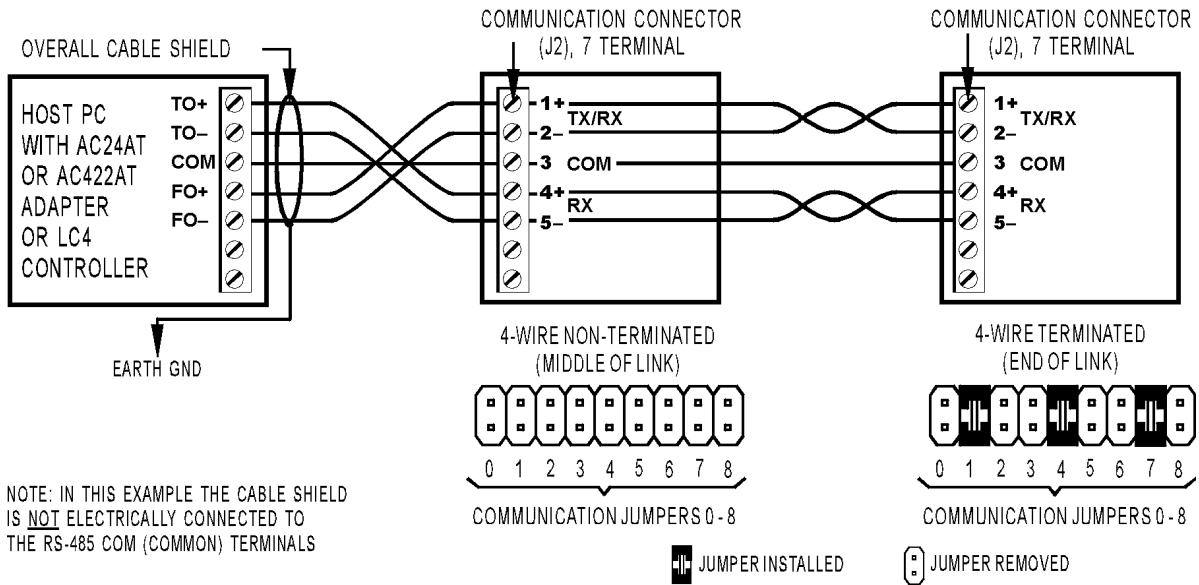
ALTERNATE 2-WIRE CONFIGURATION (ACCEPTABLE FOR MOST CONDITIONS)



This product is obsolete.

Optomux Communication Jumpers/Wiring (Continued)

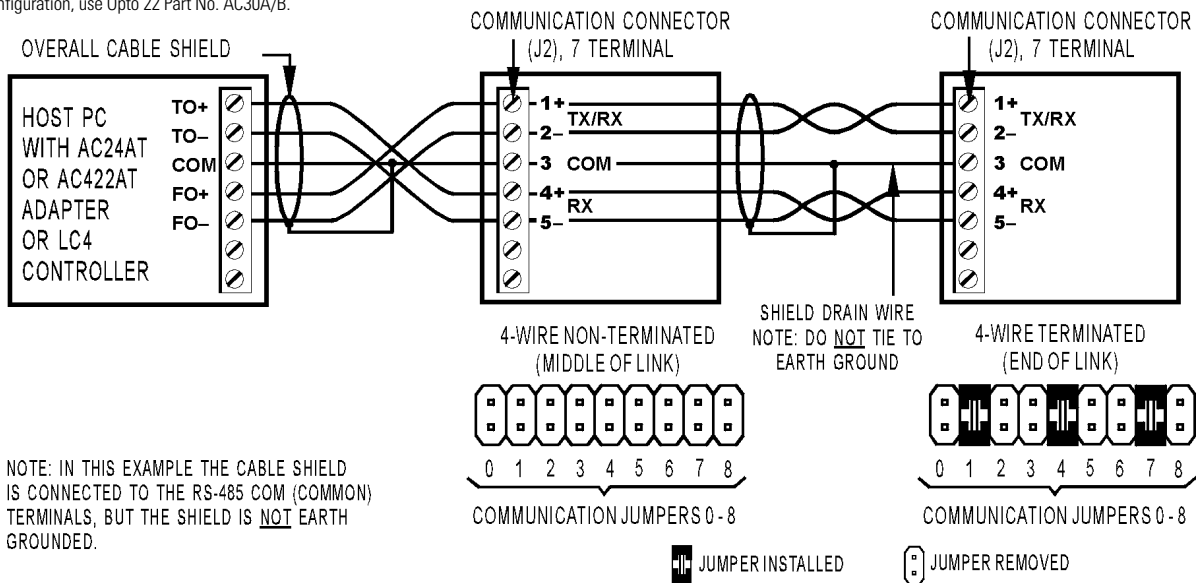
STANDARD 4-WIRE CONFIGURATION



In order to meet published specifications, the RS-485 serial link requires two terminations, one at each physical end of the serial link. **Star configuration is not allowed.** In order to use a star configuration, use Opto 22 Part No. AC30A/B.

ALTERNATE 4-WIRE CONFIGURATION

(ACCEPTABLE FOR MOST CONDITIONS)



This product is obsolete.

OPTO 22

DATA SHEET

Form 787-230112

BRAINS SNAP ANALOG AND DIGITAL

page 12/19

Baud/Address Jumpers, LED Descriptions

Note: When changing jumper settings, the new settings will not take effect until the next time the unit is powered up.

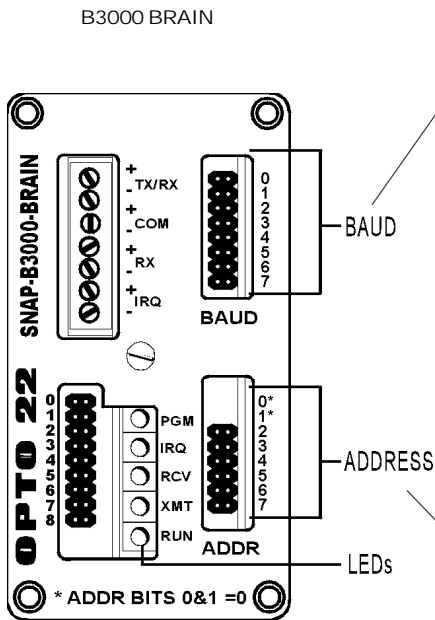


Table 1: Baud Rate Jumpers (0 - 3)

BAUD RATE (factory default setting)	JUMPER POSITION			
	3	2	1	0
115.2 KBaud	■	■	■	□
76.8 KBaud	■	■	□	■
57.6 KBaud	■	■	□	□
38.4 KBaud	■	□	■	■
19.2 KBaud	■	□	□	■
9600 Baud	■	□	□	□
4800 Baud	■	□	□	□
2400 Baud	□	■	■	■
1200 Baud	□	■	□	■
600 Baud	□	■	□	□
300 Baud	□	■	□	□

- Baud 4**
- Binary (Default)
 - ASCII (Required Setting for Optomux)
- Baud 5 Data verification**
- CRC16 (Default)
 - Checksum Modulo 256 (Required Setting for Optomux)
- Baud 6 Protocol**
- Mistic (Default)
 - Optomux (Required Setting for Optomux)
- Baud 7**
- Unused
- = JUMPER INSTALLED

Table 2: Address Table

7	6	5	4	3	2	7	6	5	4	3	2	7	6	5	4	3	2	7	6	5	4	3	2
0	□	□	□	□	□	64	■	■	■	■	■	128	■	■	■	■	192	■	■	■	■	■	
4	□	□	□	□	■	68	■	■	■	■	■	132	■	■	■	■	196	■	■	■	■	■	
8	□	□	□	■	■	72	■	■	■	■	■	136	■	■	■	■	200	■	■	■	■	■	
12	□	□	■	■	■	76	■	■	■	■	■	140	■	■	■	■	204	■	■	■	■	■	
16	□	■	■	■	■	80	■	■	■	■	■	144	■	■	■	■	208	■	■	■	■	■	
20	□	■	■	■	■	84	■	■	■	■	■	148	■	■	■	■	212	■	■	■	■	■	
24	□	■	■	■	■	88	■	■	■	■	■	152	■	■	■	■	216	■	■	■	■	■	
28	□	■	■	■	■	92	■	■	■	■	■	156	■	■	■	■	220	■	■	■	■	■	
32	□	■	■	■	■	96	■	■	■	■	■	160	■	■	■	■	224	■	■	■	■	■	
36	□	■	■	■	■	100	■	■	■	■	■	164	■	■	■	■	228	■	■	■	■	■	
40	□	■	■	■	■	104	■	■	■	■	■	168	■	■	■	■	232	■	■	■	■	■	
44	□	■	■	■	■	108	■	■	■	■	■	172	■	■	■	■	236	■	■	■	■	■	
48	□	■	■	■	■	112	■	■	■	■	■	176	■	■	■	■	240	■	■	■	■	■	
52	□	■	■	■	■	116	■	■	■	■	■	180	■	■	■	■	244	■	■	■	■	■	
56	□	■	■	■	■	120	■	■	■	■	■	184	■	■	■	■	248	■	■	■	■	■	
60	□	■	■	■	■	124	■	■	■	■	■	188	■	■	■	■	252	■	■	■	■	■	

■ = JUMPER INSTALLED □ = NO JUMPER

Table 3: LED Description Table

LED	Description
PGM	LED will be on during Flash memory upgrade. Normally LED is off.
IRQ	Processor interrupt request currently active.
RCV	Processor is currently receiving data on communication line.
XMT	Processor is currently transmitting data on communication line.
RUN	Power on Processor (at least 4.75 VDC)

Address Configuration Notes:

- Jumper positions 0 and 1 have no provision to install jumpers. These jumper positions are always set open by default.
- See Figure 1-1 on page 14 for B3000 SNAP I/O mapping.

This product is obsolete.

OPTO 22

DATA SHEET

Form 787-230112

BRAINS SNAP ANALOG AND DIGITAL

page 13/19

Jumper Examples - Mystic & Optomux

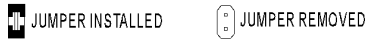
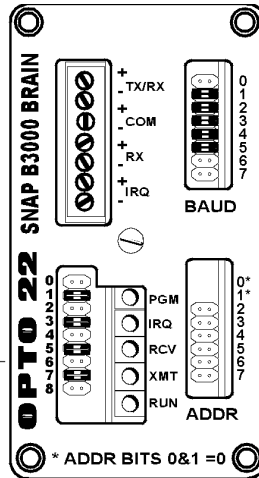
Note: When changing jumper settings, the new settings will not take effect until the next time the unit is powered up.

Jumper Settings When Used As Mystic Brain

Mystic
2-wire
115.2 Kbaud
CRC-16
Binary
Address 0

0-3 = 115.2 Kbaud
4 = Binary
5 = CRC 16
6 = Mystic protocol

2-wire mode
This is the last unit on the communication link.

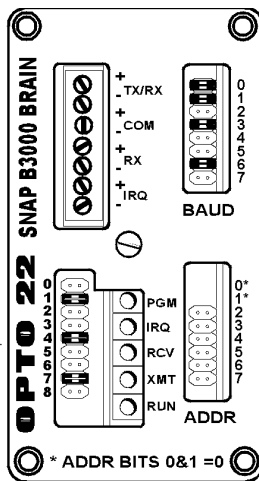


Jumper Settings When Used As Optomux Brain

Optomux
4-wire
38.4 kbaud
checksum 256
Ascii
address 0

0-3 = 38.4 Kbaud
4 = ASCII
5 = Checksum 256
6 = Optomux protocol
* Optomux protocol requires ASCII and checksum 256.

4-wire mode
This is the last unit on the communication link.



This product is obsolete.

OPTO 22

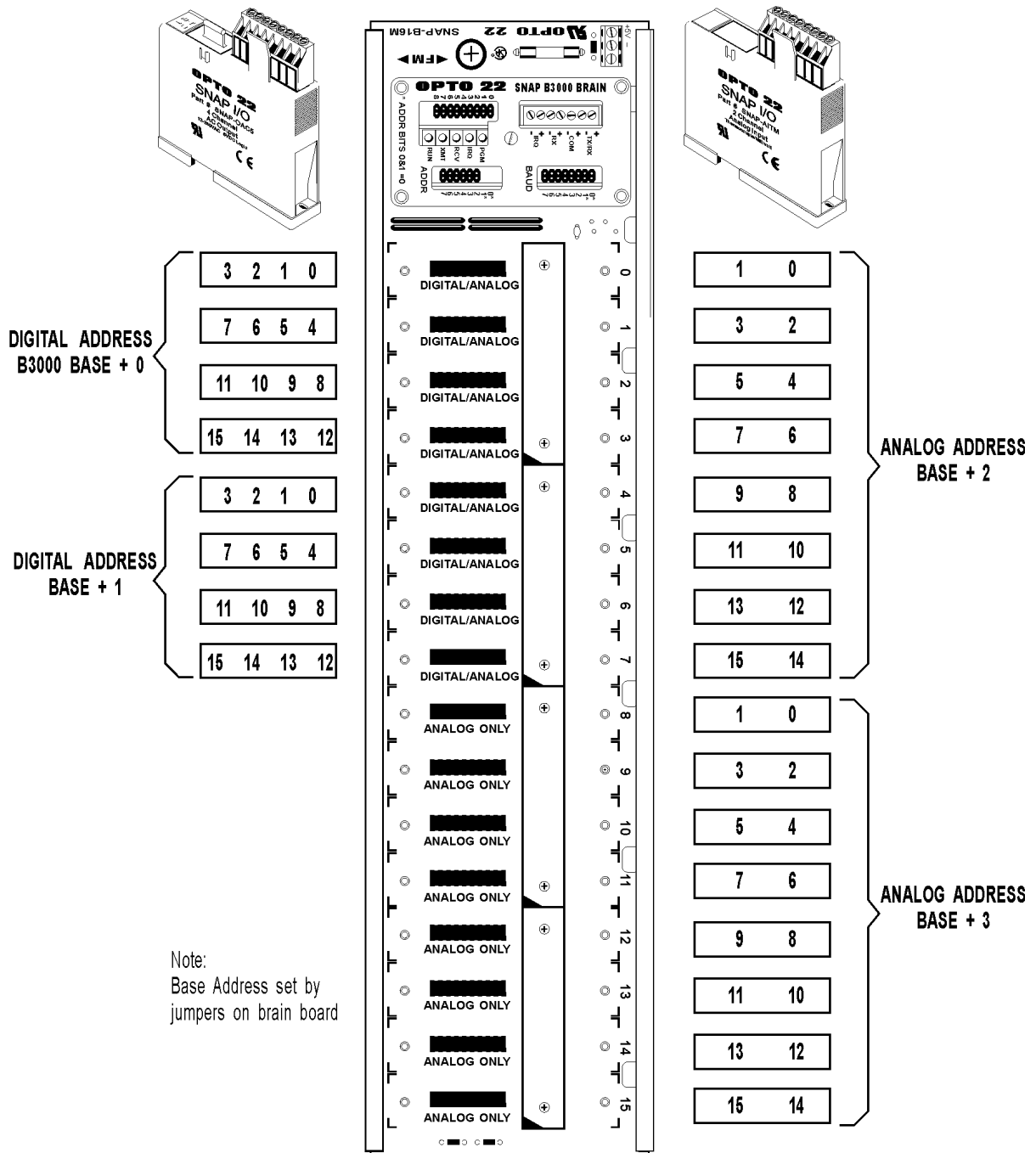
DATA SHEET

Form 787-230112

BRAINS SNAP ANALOG AND DIGITAL

page 14/19

B3000 I/O Mapping



Note:
Base Address set by
jumpers on brain board

Figure 1-1: SNAP I/O Rack

This product is obsolete.

B3000 I/O Mapping (Continued)

The B3000 is connected to a SNAP B Series I/O rack, which can hold either 8, 12, or 16 SNAP modules. Digital modules (either input or output) contain four channels of I/O. Analog input modules contain two channels and analog output modules currently contain two channels. Both analog and digital modules can be on the same rack. Some SNAP modules cannot be used with the B3000; consult the module's data sheet for compatibility information.

A B3000 is capable of addressing a maximum of 32 channels of digital I/O and 32 channels of analog I/O. However, the I/O mounting racks will not accommodate 32 channels of both digital and analog. The actual number of channels available depend on the combination of modules chosen. For example, the SNAP-B16M rack can mount 16 modules. Up to eight of these modules can be digital, providing 32 channels of digital I/O. The remaining eight module positions can be analog, providing up to 16 channels of analog I/O. If all 16 modules are analog, up to 32 channels of analog I/O are available.

I/O on the B3000 is divided into four addresses of I/O (two digital I/O and two analog I/O). The digital addresses are base+0 and base+1. The analog addresses are base+2 and base+3. Therefore, if a SNAP brain is configured at address 12, the digital addresses would be 12 and 13 and the analog would be 14 and 15.

First Four Module Positions (0-3):

Each position can hold either a digital or an analog module. They can be all analog, all digital, or any mix of both. These four positions constitute the 16 digital channels of digital address base + 0, and the first eight analog channels of analog address base + 2.

Second Four Module Positions (4-7):

Each position can hold either a digital or an analog module. They can be all analog, all digital or any mix of both. These four positions constitute the 16 digital channels of digital address base + 1, or the second eight analog channels of analog address base + 2.

Third Four Module Positions (8-11):

These positions can hold analog modules only. These four positions constitute the first eight analog channels of analog address base + 3.

Fourth Four Module Positions (12-15):

These positions can hold analog modules only. These four positions constitute the second eight analog channels of analog address base + 3.

The layout is illustrated in Figure 1-1 on the previous page.

This product is obsolete.

OPTO 22

DATA SHEET

Form 787-230112

OptoControl B3000 SNAP I/O Configuration

If you configure a digital module on the digital address base + 0 at the first module location, that will preclude you from configuring an analog module on analog address base + 2 at the first module location, as analog channels 0 and 1 of analog address base + 2 overlap with digital channels 0,1,2, and 3 of digital address base + 0. This fact will be indicated in OptoControl by text in the Configure I/O Points dialog, which will display information in the Name field for analog channels 0 and 1 stating that those channels are used by a SNAP digital module, and will specify the name of that I/O unit address.

Digital

When configuring the unit, select B3000 Snap Digital as the Type in the Add I/O Unit dialog.

The digital addresses are base+0 and base+1. If the SNAP brain is configured at address 12 (base), the digital addresses would be 12 and 13.

When a point is configured, OptoControl automatically creates and configures the other three points in the module. For example, if a digital SNAP point is added at channel 5, then identical points are created at channels 4, 6, and 7. Unique names are created for these new points, based on the name entered for the original point. You can then modify the name, as well as the description, features, default, and watchdog for each channel independently. If the module type of one digital point is changed, then the module type of all other points in that module are automatically changed.

Analog

When configuring the unit, select B3000 SNAP Analog as the Type in the Add I/O Unit dialog.

The analog addresses are base+2 and base+3. If the SNAP brain is configured at address 12 (base), the analog addresses would be 14 and 15.

Inputs:

When an input is configured, OptoControl automatically creates and configures the other input channel on that module. The name of the other channel can then be modified, as well as the description, default, and watchdog fields. The module type and scaling cannot be modified.

Outputs:

Single-channel analog output modules use two analog channels, but they contain only one channel of output. Only the even-numbered channel is usable, e.g., 0, 2, 4, etc. The odd-numbered channel is not valid. Opto 22 also produces 2-channel analog output modules.

Other Notes

Event/reactions and PID Loops can only operate on points in the same address group. They behave just like standard I/O in this sense, and cannot cross address boundaries. For example, a PID loop cannot use an input on Address Base + 2, to control an output on Base + 3.

Up to 127 event/reactions can be configured per SNAP address.

This product is obsolete.

OPTO 22

DATA SHEET

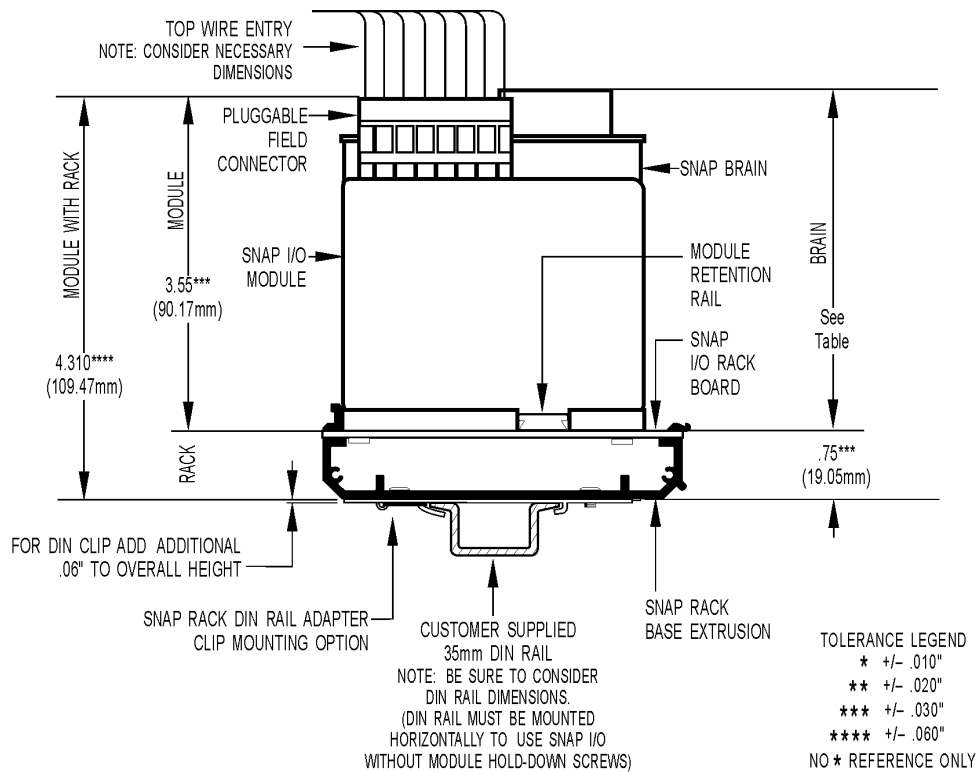
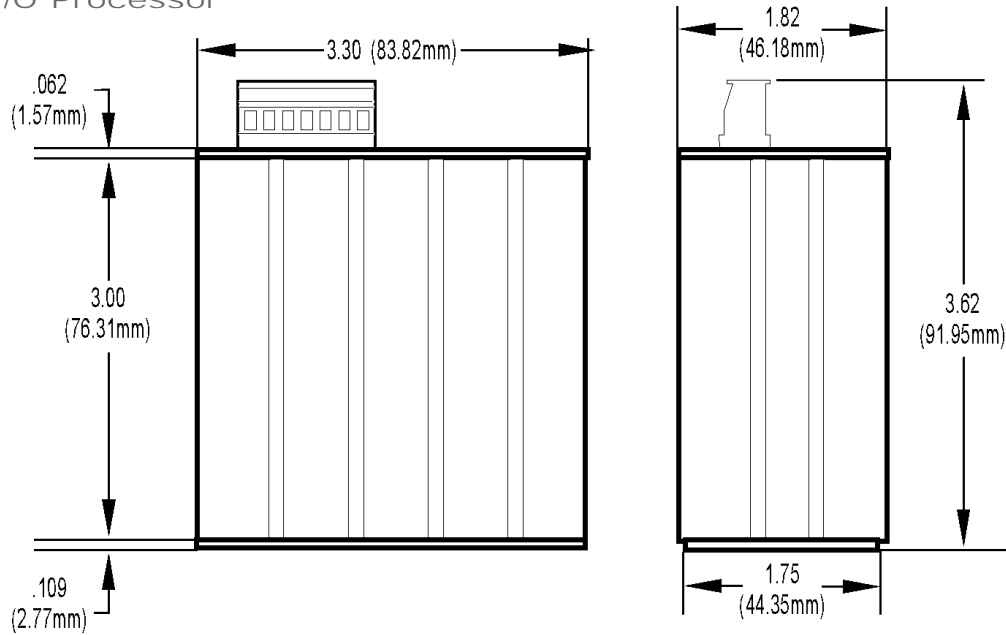
Form 787-230112

BRAINS SNAP ANALOG AND DIGITAL

page 17/19

Dimensional Drawings

B3000 I/O Processor



This product is obsolete.

OPTO 22

DATA SHEET

Form 787-230112

BRAINS SNAP ANALOG AND DIGITAL

page 18/19

Assembly

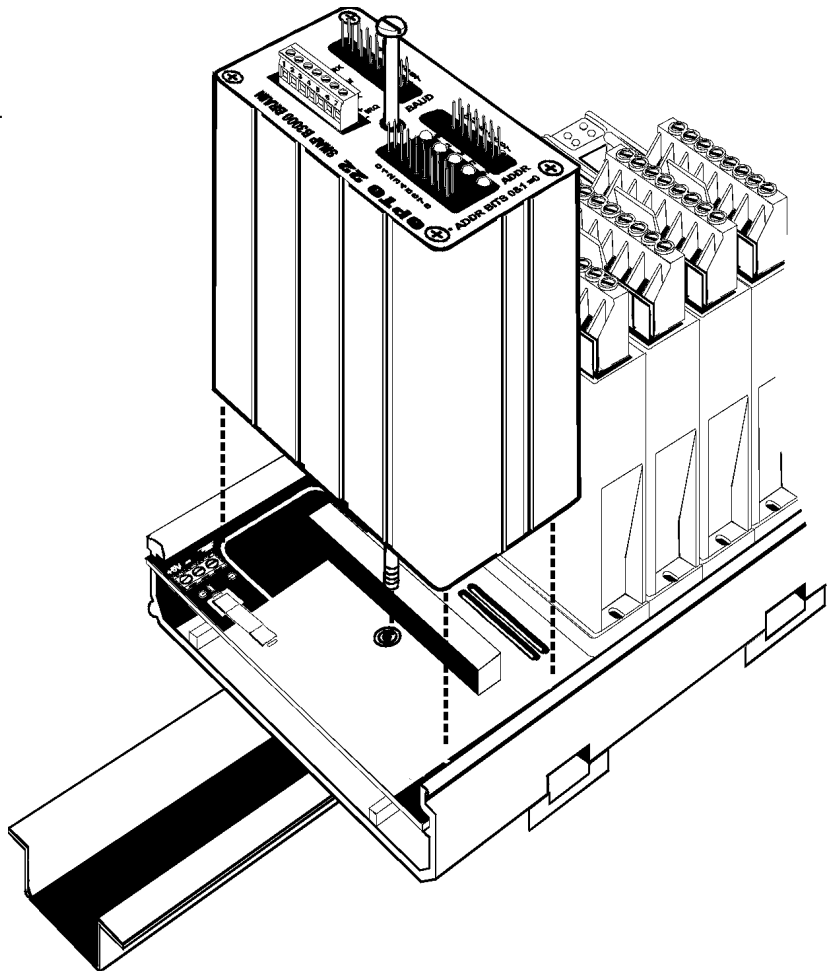
Brain

To install brain onto B Series rack:

1. Turn off power from rack assembly.
2. Align brain connector with mating connector on rack.
3. Seat brain onto connector.
4. Use integral hold-down screw to secure in position.
DO NOT OVERTIGHTEN!

To remove brain from B Series rack:

1. Turn off power from rack assembly.
2. Loosen integral hold-down screw on brain.
3. Pull up on brain.



PRODUCTS

Opto 22 develops and manufactures reliable, easy-to-use, open standards-based hardware and software products. Industrial automation, process control, remote monitoring, data acquisition, and industrial internet of things (IIoT) applications worldwide all rely on Opto 22.

groov RIO®

groov RIO edge I/O offers a single, compact, PoE-powered industrial package with web-based configuration and IIoT software built in, support for multiple OT and IT protocols, and security features like a device firewall, data encryption, and user account control.

Standing alone, groov RIO connects to sensors, equipment, and legacy systems, collecting and securely publishing data from field to cloud. Choose a universal I/O model with thousands of possible field I/O configurations, with or without Ignition from Inductive Automation®, or a RIO EMU energy monitoring unit that reports 64 energy data values from 3-phase loads up to 600 VAC, Delta or Wye.

You can also use groov RIO with a Modbus/TCP master or as remote I/O for a groov EPIC system.

groov EPIC® System

Opto 22's groov Edge Programmable Industrial Controller (EPIC) system gives you industrially hardened control with a flexible Linux®-based processor with gateway functions, guaranteed-for-life I/O, and software for your automation and IIoT applications.

groov EPIC Processor

The heart of the system is the groov EPIC processor. It handles a wide range of digital, analog, and serial functions for data collection, remote monitoring, process control, and discrete and hybrid manufacturing.

In addition, the EPIC provides secure data communications among physical assets, control systems, software applications, and online services, both on premises and in the cloud. No industrial PC needed.

Configuring and troubleshooting I/O and networking is easier with the EPIC's integrated high-resolution color touchscreen. Authorized users can manage the system locally on the touchscreen, on a monitor connected via the HDMI or USB ports, or on a PC or mobile device with a web browser.

groov EPIC I/O

groov I/O connects locally to sensors and equipment. Modules have a spring-clamp terminal strip, integrated wireway, swing-away cover, and LEDs indicating module health and discrete channel status. groov I/O is hot swappable, UL Hazardous Locations approved, and ATEX compliant.

groov EPIC Software

The groov EPIC processor comes ready to run the software you need:

- Programming: Choose flowchart-based PAC Control, CODESYS Development System for IEC61131-3 compliant programs, or secure shell access (SSH) to the Linux OS for custom applications
- Node-RED for creating simple IIoT logic flows from pre-built nodes
- Efficient MQTT data communications with string or Sparkplug data formats
- Multiple OPC UA server options
- HMI: groov View to build your own HMI viewable on touchscreen, PCs, and mobile devices; PAC Display for a

Windows HMI; Node-RED dashboard UI

- Ignition or Ignition Edge® from Inductive Automation (requires license purchase) with OPC-UA drivers to Allen-Bradley®, Siemens®, and other control systems, and MQTT communications

Older products

From solid state relays, to world-famous G4 and SNAP I/O, to SNAP PAC controllers, older Opto 22 products are still supported and working hard at thousands of installations worldwide. You can count on us for the reliability and service you expect, now and in the future.

QUALITY

Founded in 1974, Opto 22 has established a worldwide reputation for high-quality products. All are made in the U.S.A. at our manufacturing facility in Temecula, California.

Because we test each product twice before it leaves our factory rather than testing a sample of each batch, we can afford to guarantee most solid-state relays and optically isolated I/O modules for life.

FREE PRODUCT SUPPORT

Opto 22's California-based Product Support Group offers free technical support for Opto 22 products from engineers with decades of training and experience. Support is available in English and Spanish by phone or email, Monday–Friday, 7 a.m. to 5 p.m. PST.

Support is always available on our website, including [free online training](#) at OptoU, how-to [videos](#), [user's guides](#), the Opto 22 KnowledgeBase, and [OptoForums](#).

PURCHASING OPTO 22 PRODUCTS

Opto 22 products are sold directly and through a worldwide network of distributors, partners, and system integrators. For more information, contact Opto 22 headquarters at **800-321-6786** (toll-free in the U.S. and Canada) or **+1-951-695-3000**, or visit our website at www.opto22.com.

