

OPTOEMU SENSOR (ENERGY MONITORING UNIT)

Features

- > Monitor real-time energy usage from utility meters, electrical panels, subpanels, and equipment
- > View detailed real-time and historical energy usage data online through your chosen software service
- > Send data to a SNAP PAC System, systems using Modbus/TCP or OPC, or SQL databases
- > Communicate over standard 10/100 Mbps Ethernet or wireless LAN (802.11a, b, or g), or both at once



OptoEMU Sensor 3V

DESCRIPTION

The OptoEMU Sensor™ Energy Monitoring Unit monitors the electrical energy used in your facility and then delivers that data to online software applications or control systems. The OptoEMU Sensor gives you the detailed, real-time data you need to analyze energy consumption and reduce energy costs.

Why Monitor Energy?

Traditionally, the cost of energy has been considered an overhead cost. Utility bills show few details about when and how electricity was used, and they arrive long after the energy was consumed.

However, new energy pricing structures are changing traditional ways of looking at energy costs. Increasingly, commercial and industrial businesses are finding that they can significantly reduce energy costs by managing energy in the same way as other business costs such as people, assets, and inventory. Energy management represents significant opportunities to improve the bottom line.

Reducing energy costs does not require complex or expensive technology; it requires basic information. That information starts with gathering detailed, real-time data through the OptoEMU Sensor.

Viewing Energy Data

Real-time and historical energy data gathered by the OptoEMU Sensor is viewed online through a secure software service. You choose the service that's best for your business.

The OptoEMU Sensor sends energy data directly to the service you choose, and you can view the data from any authorized computer or mobile device in accordance with the service you purchase.

Using Energy Data in Other Systems

Energy data from the OptoEMU Sensor can also be sent to other systems for use there. Sensor data can be incorporated in a PAC Control strategy, a PAC Display HMI, and control systems that communicate through Modbus®/TCP or OPC.

In addition, energy data can be sent to common SQL databases such as MySQL® and SQL Server®.

Using Sensor data in these other systems, you can manage energy usage and costs in detail. For more information on using energy data in other systems, see form 1958, the [OptoEMU Sensor Communication Guide](#).

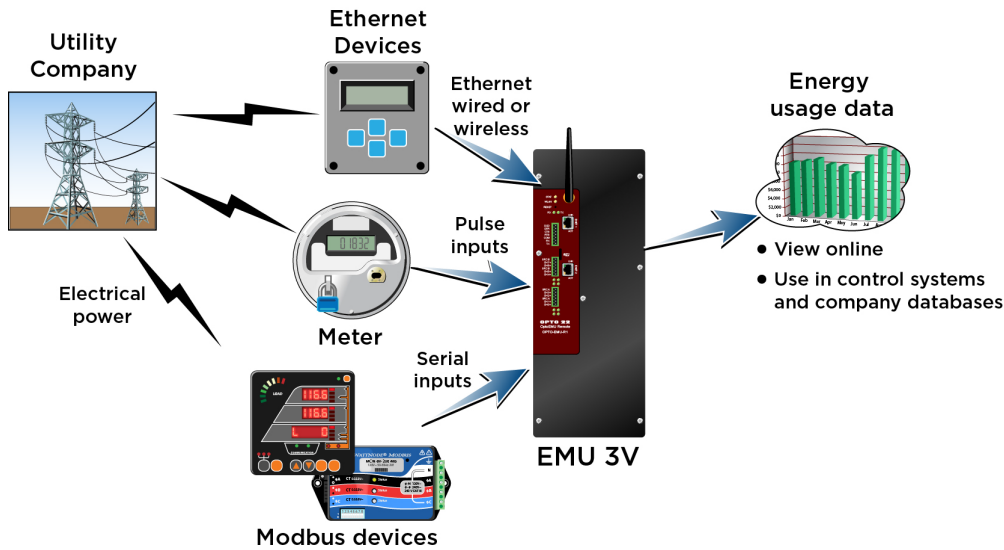
Connecting to Electrical Devices

The OptoEMU Sensor can connect to a variety of metering devices that emit pulses. It can connect to Modbus devices over serial or Ethernet. And it can also connect directly to electrical circuits using current transformers (CTs) with a 0.333 VAC secondary.

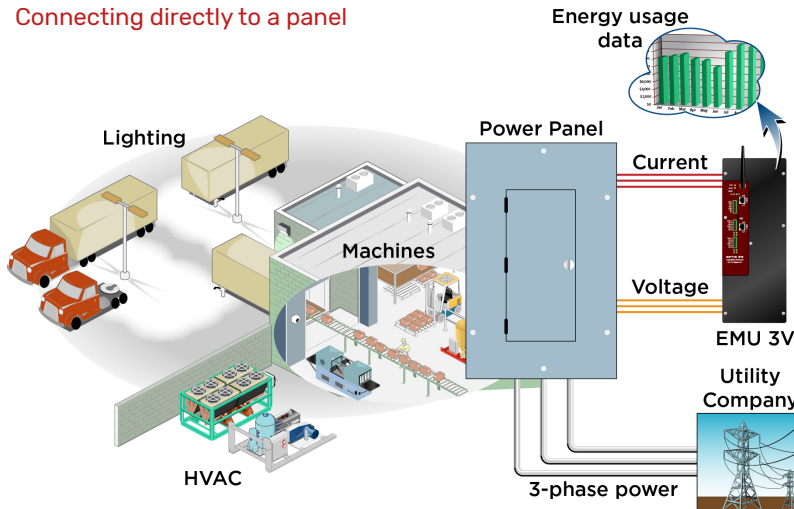
Part Numbers

Part	Description
OPTOEMU-SNR-3V	Energy monitoring unit for electrical panels, machines, and devices, Wired+Wireless™
CBL-PWR-120VUS	Temporary power cable accessory for initial IP address configuration, North America
CBL-PWR-240VEU	Temporary power cable accessory for initial IP address configuration, Europe
OPTOEMU-PT600	Auxiliary box for OptoEMU Sensor, with stepdown transformer and fusible disconnect

Connecting to pulse, serial, and Ethernet inputs



Connecting directly to a panel



The Sensor can monitor energy devices in all ways, simultaneously:

- **Pulse**—The Sensor can monitor up to four electrical devices that emit a pulse output, such as a utility meter or submeter.
- **Ethernet**—The Sensor monitors Modbus/TCP energy devices that connect over an Ethernet network.
- **Serial**—The Sensor monitors Modbus energy devices that connect over a serial network. The serial interface on the unit is software configurable for RS-232 or RS-485.

A total of 64 Modbus data items (over Ethernet and serial) can be monitored.

- **Direct**—Using suitable current transformers (CTs) with a 0.333 VAC secondary, the Sensor can monitor voltage and current directly from the main power load panel on a building or facility. It can also monitor loads from individual subpanels or electrical equipment such as chillers, boilers, compressors, elevators, and air handling units.

One Sensor can connect to one 3-phase electrical panel or device or to three single-phase panels or devices. The Sensor measures line-to-neutral voltage and is suitable for up to 600 volt systems (346 VAC wye).

If you need a fusible disconnect or plan to power the Sensor from a monitored panel or device with a voltage higher than 240 VAC, also purchase the OPTOEMU-PT600 auxiliary box, which contains a transformer and fusible disconnect.

Configuration

The Sensor includes an easy-to-use utility program for assigning an IP address for communication on your network, configuring the monitored devices, and entering the necessary information to connect to the software service.

A temporary power cable accessory is available, if needed, for assigning the IP address before installation. (See “Part Numbers” on page 1.)

Communication

The OptoEMU Sensor uses standard computer networks and protocols to send data to the online software service, which displays energy use to authorized viewers over the Internet.

The OptoEMU Sensor communicates with these services over a standard 10/100 Mbps Ethernet network or over an 802.11a, b, or g wireless LAN (local area network). With wired Ethernet network interfaces plus an independent wireless interface, the unit gives you the flexibility to monitor devices in hard-to-reach areas and to set up networking suited to your business.

Security on the wireless LAN includes 802.11i WPA2/AES, currently considered the best wireless security, plus the older WPA security standard for backwards compatibility.

Data Storage

The OptoEMU Sensor can store data internally. If communication with the software service is lost, the unit stores data for delivery when communication is restored.

Mounting and Wiring

If the OptoEMU Sensor is monitoring voltage and current directly from a panel or device, it should be mounted right next to it. Power for the unit is normally supplied by a 120 VAC or 240 VAC connection. If you need to power the Sensor from a panel or device with higher voltage, also purchase the auxiliary box with transformer and fusible disconnect (part number OPTOEMU-PT600).

WARNING: Follow all installation instructions in the [OptoEMU Sensor User's Guide](#) to avoid serious or fatal injury or severe damage to equipment. All electrical wiring to the unit must be done by a qualified electrician.

Data In and Data Out: OptoEMU Sensor 3V

OptoEMU Sensor 3V monitors:

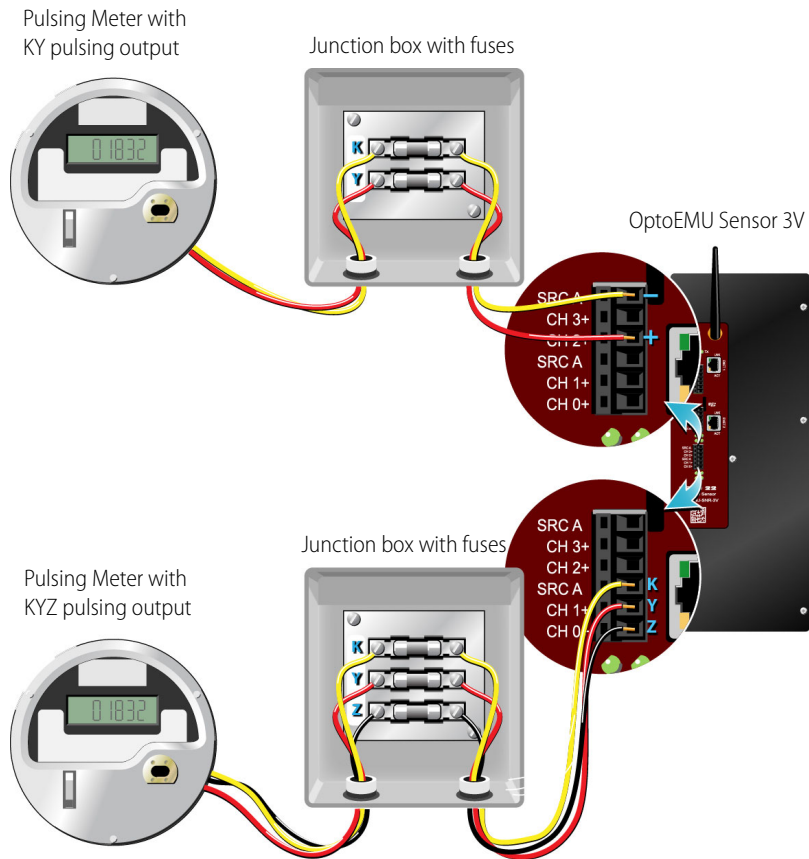
- Pulsed outputs from pulsing meter or submeter
- Energy devices that communicate over a serial network using the Modbus protocol
- Ethernet energy devices that communicate using Modbus/TCP
- Direct voltage and current from:
 - Main electrical panel
 - Electrical subpanels
 - Electrical equipment such as chillers, boilers, compressors, elevators, and air handling units (AHUs)



OptoEMU Sensor 3V provides data for:

- Online energy monitoring applications
- PAC Control strategies
- PAC Display HMIs
- OPC 2.0-compliant clients
- Standard databases (SQL Server, MySQL, Microsoft Access)
- Modbus/TCP systems
- Custom systems you've developed, for example using our .NET Toolkit

Wiring for Pulsed Inputs



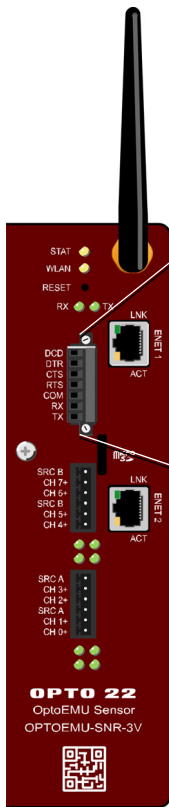
Use with either two-wire KY (Form A) or three-wire KYZ (Form C) pulsing devices.

Contact your utility company if connections are not immediately apparent.

Follow wiring instructions in the [OptoEMU Sensor User's Guide](#), form #1932.

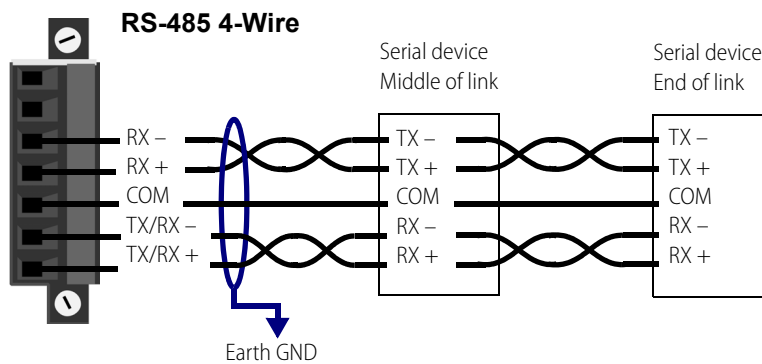
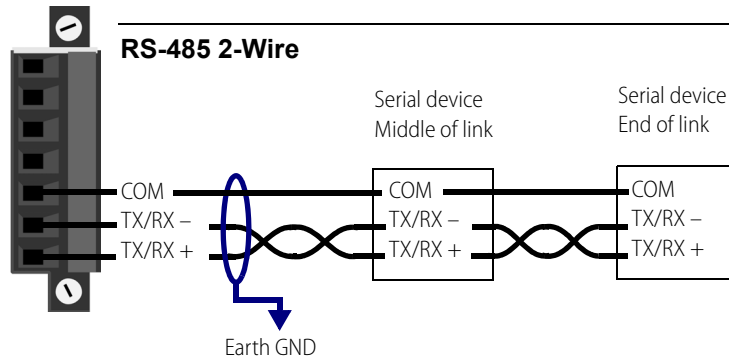
NOTE: If this equipment is used in a manner not specified by Opto 22, the protection provided by the equipment may be impaired.

Wiring for Serial Ports



RS-232 and RS-485 Pinouts

RS-232	Signal Direction	RS-485	Signal Direction
DCD	In	--	
DTR	Out	--	
CTS	In	RX- (4 wire)	In
RTS	Out	RX+ (4 wire)	In
COM		COM	
RX	In	TX/RX-	In/Out
TX	Out	TX/RX+	In/Out



Direct Connection Using CTs

Follow wiring instructions in the *OptoEMU Sensor User's Guide*, form #1932.

UL requires CTs to be CAT III approved. Category III is for measurements performed in the building installation, for example circuit breakers, wiring, distribution boards, equipment for industrial use, etc.; see IEC 61010.

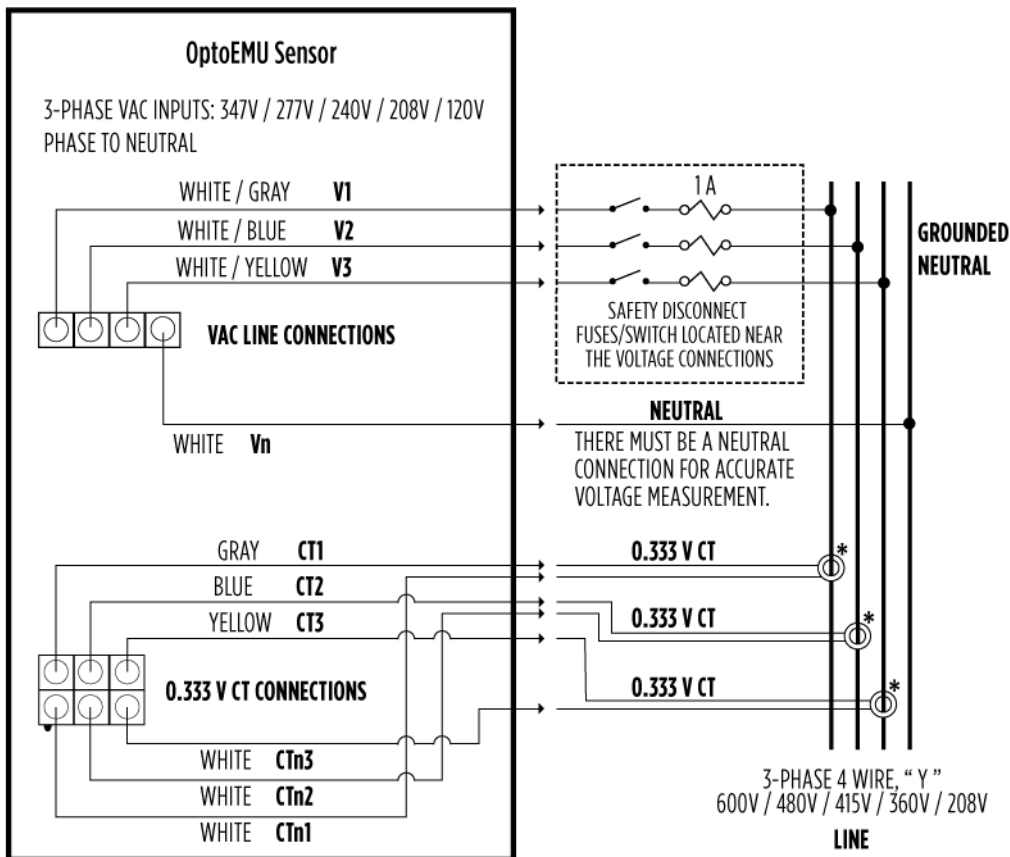
UL also requires that CTs be **UL Listed Energy Monitor Current Transformers**. Suitable CTs can be obtained from Sentran Corporation—for example, part numbers LN4F-300-333 (300 A, 1.25" window), LN3F-150-333 (150 A, 0.70" window), or LN2F-100-333 100 A, 0.40" window). See the manufacturer for other ranges and window sizes.



WARNING: DANGER. *Electrical hazard. Authorized personnel only.*

All electrical wiring to the unit must be done by a qualified electrician.

If this equipment is used in a manner not specified by Opto 22, the protection provided by the equipment may be impaired.



*ARRANGE ALL OF THE 0.333 V CTs THE SAME WAY ON THE LOAD CABLES AND CONNECT THE CT SIGNAL WIRES IDENTICALLY (LABELED OR COLORED) TO THE WHITE WIRES.

IF FEWER THAN 3 PHASES, CONNECT UNUSED CT AND VOLTAGE INPUTS TO THEIR RESPECTIVE NEUTRAL (WHITE WIRE)
CTs MUST BE CAT III APPROVED.

SPECIFICATIONS: OPTOEMU SENSOR

Overall Unit Specifications

Power Requirements (without auxiliary box)	100–240 VAC, 47–63 Hz, 0.4 A maximum, 8 W
Power Requirements (with auxiliary box)	100–240 VAC (single phase) or 277–346 VAC (line to neutral from 480–600 VAC panels)
Dimensions	6.0"w x 13.5"h x 4.5"d (15.2 cm x 34.3 cm x 11.4 cm)
Enclosure	Sturdy metal enclosure with standard knockouts for wiring
Removable storage	MicroSD card slot (for future use)
Backup battery	Rechargeable (recharges whenever the unit has power), 3-year power-off data retention
Ethernet Communication (wired)	Two independent 10/100 Mbps Ethernet network interfaces (RJ-45 connectors), each with a separate IP address.
Ethernet Communication (wireless)	Wireless LAN interface with separate IP address.
	Frequency 802.11a: 5.180–5.240 GHz, 5.745–5.825 GHz
	Security: 802.11i: AES - Compatible with WPA2 Personal; TKIP - Compatible with WPA Personal.
	Frequency 802.11b/g: 2.412–2.472 GHz, 2.484 GHz
	Transmit Power: 5 dBm maximum
	Roaming: Supported within an SSID (Service Set Identifier) only
	Antenna Connector: Reverse polarity SMA (RP-SMA or RSMA)
Serial Communication	One serial port, software configurable for RS-232 (TX, RX, COM, DTR, DCD, RTS, CTS) or RS-485 (2-wire, 4-wire, optional termination, optional biasing).
Indicators	Status of unit Wireless: WLAN activity Serial: Receiving, Transmitting Ethernet interfaces (2): Link, Activity Pulse inputs: On/Off status
Other features	Real-time clock
Operating Temperature	0 to 60 °C (32 to 140° F)
Storage Temperature	-25 to 85 °C (-13 to 185° F)
Humidity	0% to 95% relative humidity, non-condensing
Agency Approvals*	UL, cUL, DFARS Wireless: U.S., FCC Part 15 Subpart C; Canada, IC RSS-210
Warranty	30 months

(Specifications continue on following page.)

SPECIFICATIONS (CONTINUED)

Dry Contact Pulse Inputs

OptoEMU Sensor supplies 15 volts to each external dry contact switch and senses switch closure.

Open Circuit Voltage (Switch Open)	15 VDC typical (supplied by OptoEMU Sensor)
Short Circuit Current (Switch Closed)	7 milliamps nominal
Minimum Off Resistance	>20 K ohms
Maximum Allowable ON Resistance (Wire + Contact Resistance)	500 ohms
Turn-on Time	5 msec
Turn-off Time	25 msec
Channel-to-channel Isolation	8 channels isolated in groups of two
Input-to-output Isolation	1500 V AC/DC
Minimum Pulse Width	>= 7 milliseconds
Maximum Frequency	<= 30 Hz
Status indicators	1 LED per channel

3-Phase Power Monitoring

Voltage Inputs (each voltage channel)	
Input Range	0 to 400 VAC RMS (line to neutral—347 V for a 600 V 3-phase system or 277 V for a 480 V 3-phase system)
Input Over Range	To 440 volts
Resolution	10 mV
Accuracy (47 to 63 Hz)	± 0.2 V plus ± 0.2% reading (at full scale = ±0.2 V + ±0.8 V = ±1.0 V)
RMS Integration Time/ Data Freshness	1000 ms (synchronous with current measurement)
Input Resistance – Single Ended	1 Megohm NOTE: Because both channels share the same reference terminal, polarity must be observed when connecting the current channel.
Maximum Input	600 V non-operating
Current Inputs (each current channel)	
Input Range	0 to 333 mV AC input from current transducer
Input Over Range	To 416 mV AC
Input Overload	5 VAC continuous, non-operating
Resolution	15.1 µV AC
Accuracy (47 to 63 Hz)	± 266 microvolts plus 0.2% of reading (at full scale = 266 µV + 667 µV = 933 µV = 0.28%)
RMS Integration Time/ Data Freshness	1000 ms (synchronous with voltage measurement)
Input Resistance – Single Ended	500 K Ohms NOTE: Because both channels share the same reference terminal, polarity must be observed when connecting the voltage channel.
Maximum Input	5 VAC continuous, non-operating

OPTOEMU-PT600 AUXILIARY BOX (OPTIONAL ACCESSORY)

Use the OPTOEMU-PT600 auxiliary box only if you need a fusible disconnect, or if you are powering the OptoEMU Sensor from a monitored panel or device with a voltage higher than 240 VAC.

Wiring diagram appears on the following page. For complete wiring instructions, see the [OptoEMU Sensor User's Guide](#) (form 1932).

Specifications

Input voltage range	220–600 VAC line-to-line
Output voltage	110–240 VAC (power for OptoEMU-SNR-3V)
Fuses	1 amp, class CC, 600 VAC (Edison part number HCLR1)
Dimensions	6.0" w x 13.5" h x 4.5" d (15.2 cm x 34.3 cm x 11.4 cm)
Enclosure	Sturdy metal enclosure with standard knockouts for wiring
Agency Approvals*	CE, RoHS, DFARS
Warranty	30 months



WARNING: DANGER. *Electrical hazard. Authorized personnel only.*

All electrical wiring to the unit must be done by a qualified electrician.

WARNING! *Disconnect power upstream from unit when wiring or servicing to avoid potential shock hazard. This unit must be on its own circuit breaker.*

If the equipment is used in a manner not specified by the manufacturer, the protection provided by the equipment may be impaired.

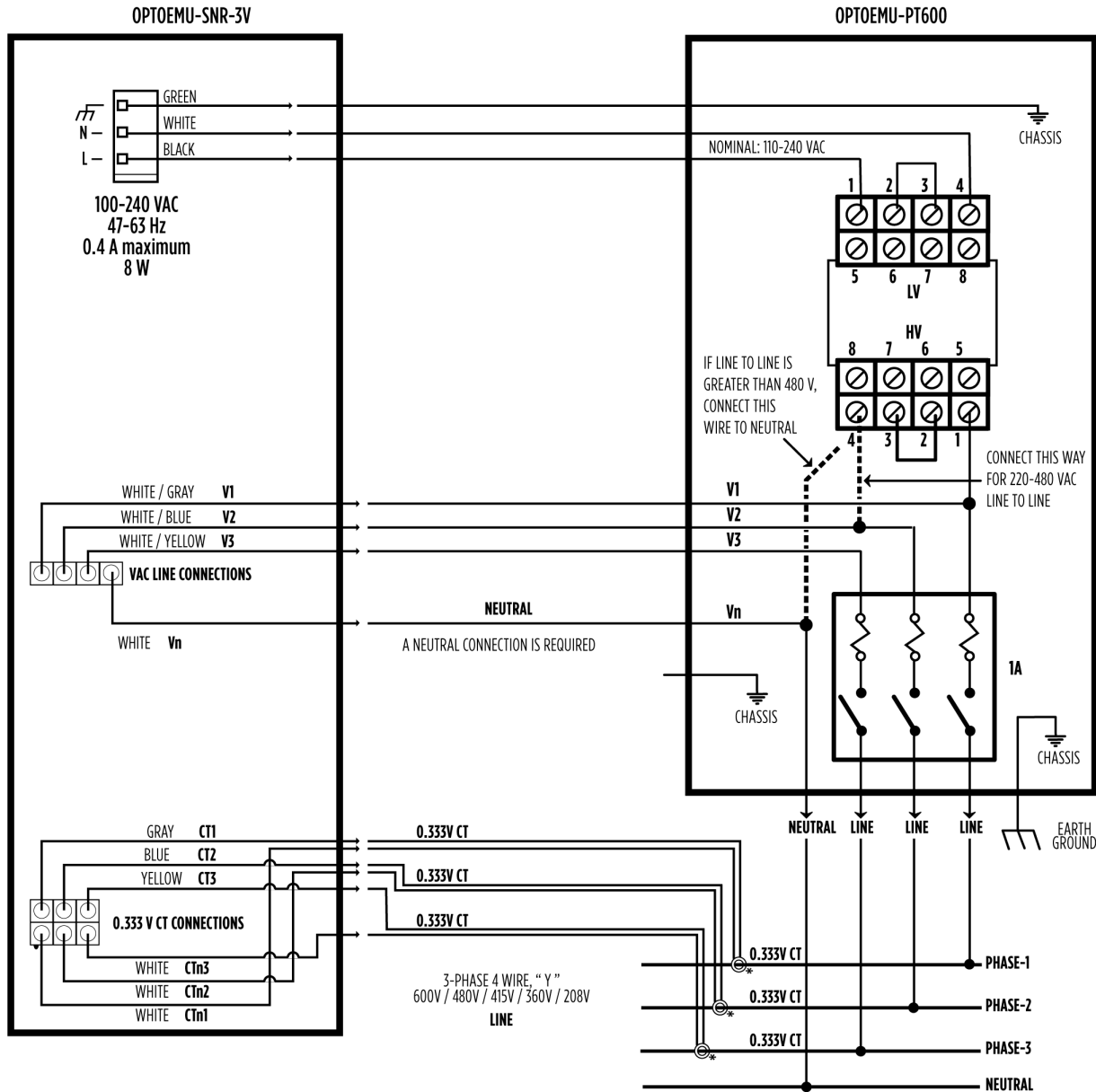
Wiring Diagram—OPTOEMU-PT600

See warnings on page 9.

Follow wiring instructions in the *OptoEMU Sensor User's Guide*, form #1932.

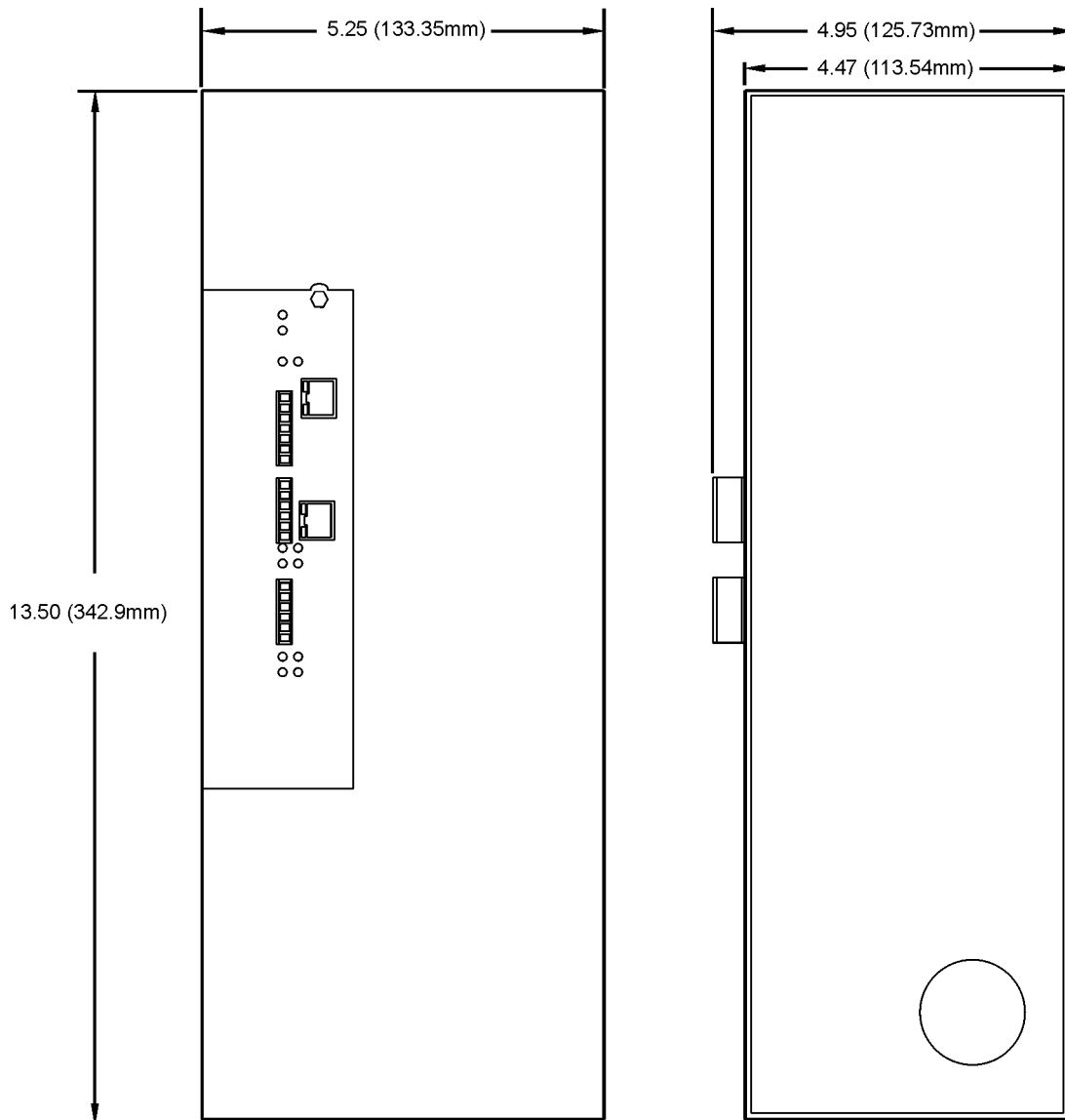
UL requires CTs to be CAT III approved. Category III is for measurements performed in the building installation, for example circuit breakers, wiring, distribution boards, equipment for industrial use, etc.; see IEC 61010.

UL also requires that CTs be **UL Listed Energy Monitor Current Transformers**. Suitable CTs can be obtained from Sentran Corporation—for example, part numbers LN4F-300-333 (300 A, 1.25" window), LN3F-150-333 (150 A, 0.70" window), or LN2F-100-333 100 A, 0.40" window). See the manufacturer for other ranges and window sizes.



*ARRANGE ALL OF THE 0.333 V CTs THE SAME WAY ON THE LOAD CABLES AND CONNECT THE CT SIGNAL WIRES IDENTICALLY (LABELED OR COLORED) TO THE WHITE WIRES.
IF FEWER THAN 3 PHASES, CONNECT UNUSED CT AND VOLTAGE INPUTS TO THEIR RESPECTIVE NEUTRAL (WHITE WIRE).
CTS MUST BE CAT III APPROVED.

Dimensional Diagram—OPTOEMU-SNR-3V



PRODUCTS

Opto 22 develops and manufactures reliable, easy-to-use, open standards-based hardware and software products. Industrial automation, process control, building automation, industrial refrigeration, remote monitoring, data acquisition, and industrial internet of things (IIoT) applications worldwide all rely on Opto 22.

groov EPIC® System

Opto 22's *groov Edge Programmable Industrial Controller (EPIC) system* gives you an industrially hardened system with guaranteed-for-life I/O, a flexible Linux®-based processor with gateway functions, and software for your automation and IIoT applications.

groov EPIC I/O

groov I/O connects locally to sensors and equipment with up to 24 channels on each I/O module. Modules have a spring-clamp terminal strip, integrated wireway, swing-away cover, and LEDs indicating module health and discrete channel status.

groov I/O is hot swappable, UL Hazardous Locations approved, and ATEX compliant.

groov EPIC Processor

The heart of the system is the *groov EPIC* processor. It handles a wide range of digital, analog, and serial functions for data collection, remote monitoring, process control, and discrete and hybrid manufacturing.

In addition, the EPIC provides secure data communications among physical assets, control systems, software applications, and online services, both on premises and in the cloud.

Configuring and troubleshooting I/O and networking is easier with the EPIC's integrated high-resolution color touchscreen. Authorized users can manage the system locally on the touchscreen or on a monitor connected via the HDMI or USB ports.

groov EPIC Software

Software included in the *groov EPIC* processor:

- PAC Control engine to run PAC Control and PAC Display
- CODESYS Runtime engine to run IEC61131-3 compliant programs built with CODESYS Development System
- Optional access to the Linux operating system through a secure shell (SSH) to download and run custom applications
- *groov View* for building your own device-independent HMI, viewable on the touchscreen, PCs, and mobile devices
- Node-RED for creating simple logic flows from pre-built nodes
- Ignition Edge® from Inductive Automation®, with OPC-UA drivers to Allen-Bradley®, Siemens®, and other control systems, and MQTT communications with Sparkplug for efficient IIoT data transfer

groov RIO®

groov RIO revolutionizes remote I/O by offering a single, compact, PoE-powered industrial package with web-based configuration, commissioning, and flow logic software built in, plus support for multiple OT and IT protocols.

Standing alone, it meets the needs of small, variable I/O count applications, especially those that require data logging or data communications, commonly found in IIoT applications. *groov RIO* can also be used with a Modbus/TCP master or as remote I/O for a *groov EPIC* system.

Older products

From solid state relays (our first products) to world-famous G4 and SNAP I/O, to SNAP PAC controllers, older Opto 22 products are still supported and still doing the job at thousands of installations worldwide. You can count on us to give you the reliability and service you expect, now and in the future.



QUALITY

Founded in 1974, Opto 22 has established a worldwide reputation for high-quality products. All are made in the U.S.A. at our manufacturing facility in Temecula, California.

Because we test each product twice before it leaves our factory rather than testing a sample of each batch, we can afford to guarantee most solid-state relays and optically isolated I/O modules for life.

FREE PRODUCT SUPPORT

Opto 22's California-based Product Support Group offers free, comprehensive technical support for Opto 22 products from engineers with decades of training and experience. Support is available in English and Spanish by phone or email, Monday–Friday, 7 a.m. to 5 p.m. PST.

Support is always available on our website, including [free online training](#) at OptoU, how-to [videos](#), [user's guides](#), the Opto 22 KnowledgeBase, troubleshooting tips, and [OptoForums](#). In addition, instructor-led, hands-on [Premium Factory Training](#) is available at our Temecula, California headquarters, and you can [register online](#).

PURCHASING OPTO 22 PRODUCTS

Opto 22 products are sold directly and through a worldwide network of distributors, partners, and system integrators. For more information, contact Opto 22 headquarters at **800-321-6786** (toll-free in the U.S. and Canada) or **+1-951-695-3000**, or visit our website at www.opto22.com.